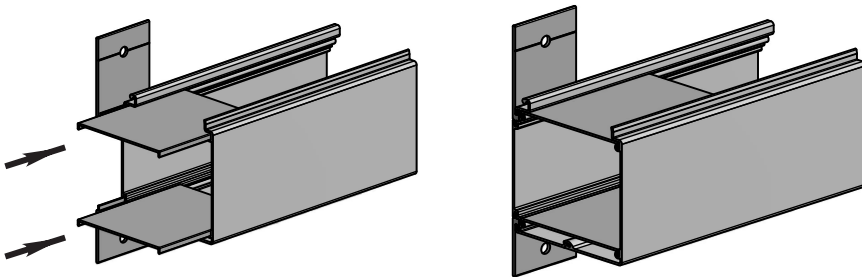
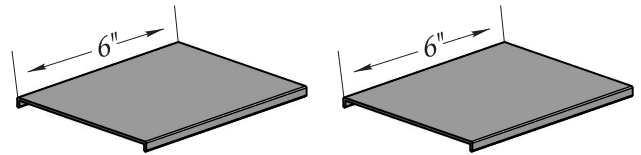


CHANNEL LETTER RACEWAY SPLICING

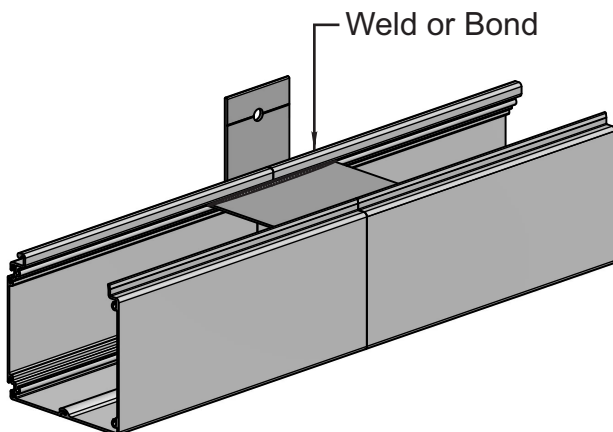
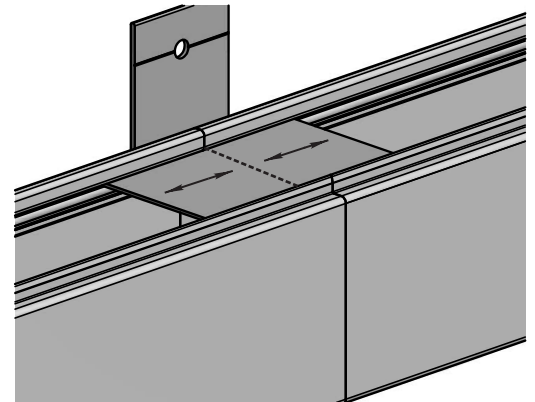
One of the many features of SignComp Channel Letter Raceways is the ability to splice pieces together to maximize material usage.

1.) Cut two 6" channel letter raceway brace/brackets from the available 12'2" lengths.



2.) Insert brace/brackets into the top and bottom of one section of raceway. Brace/brackets should be flush with the edge of the raceway.

3.) Connect both sections of raceway together by sliding the brace/brackets into the second piece of raceway. Make sure to center the brace/brackets so they are equally distributed in each piece of raceway.



4.) Weld or bond both sides of the top and bottom brace/bracket to secure the splice.