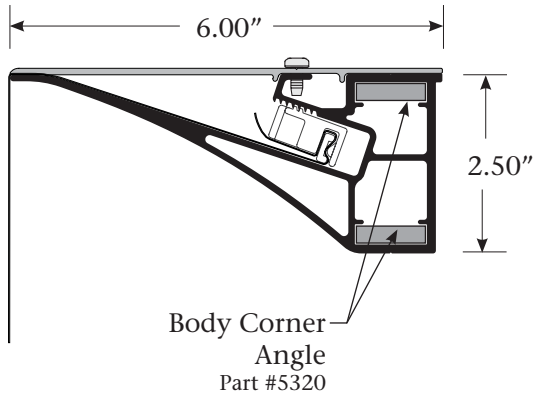
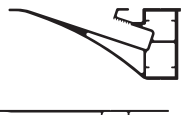




PRODUCT INFORMATION SHEET:

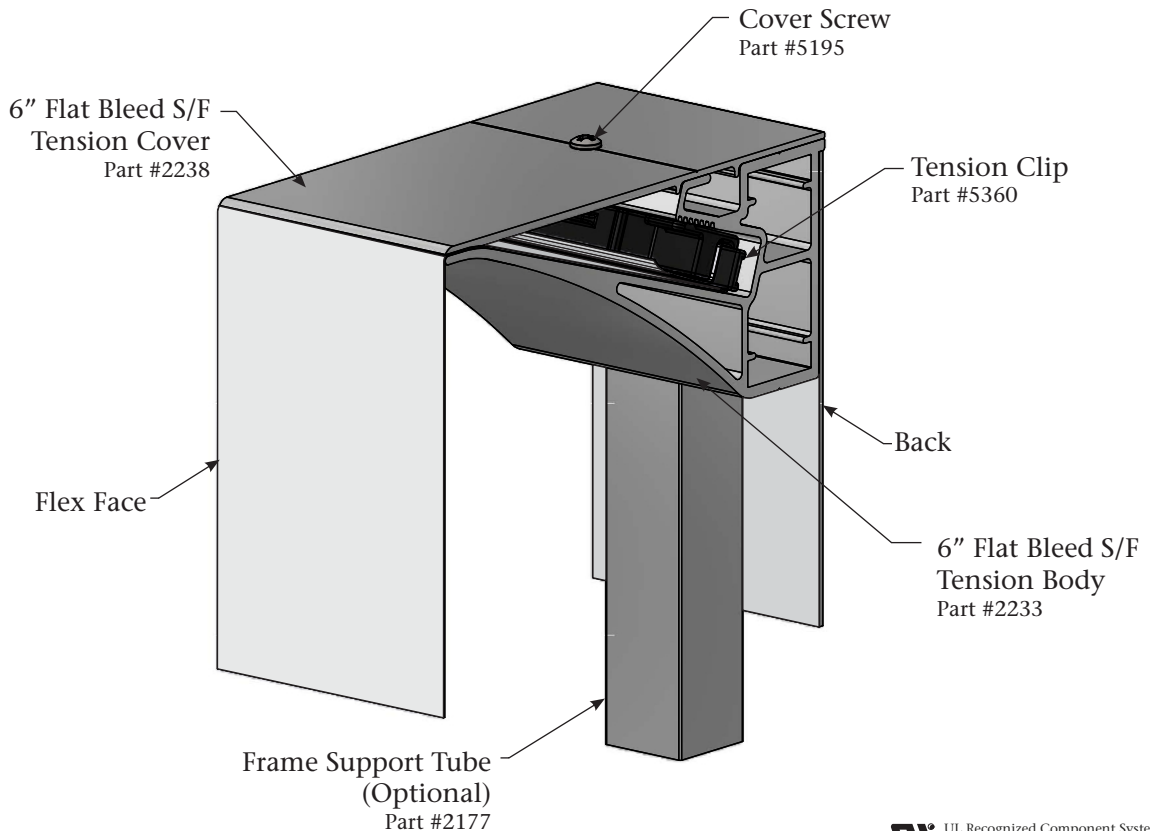
6" Flat Bleed Single Face Tension Body & Cover

| Part Number | Part | Length | Finish |
|-------------|---------------------------------|--------|--------|
| 2233 | 6" Flat Bleed S/F Tension Body | 24'-6" | Mill |
| 2238 | 6" Flat Bleed S/F Tension Cover | 24'-6" | Mill |



Features & Benefits

- 1 piece *body* and bleed tension *frame* combination.
- Curved inner bleed frame for optimal perimeter lighting to help diminish shadows.
- Structurally designed and engineered to eliminate gussets and frame braces.
- Can be *kerf* cut to create custom shapes.
- Ideal for LED applications.



UL Recognized Component Systems
The Underwriters Laboratory file number is E136850