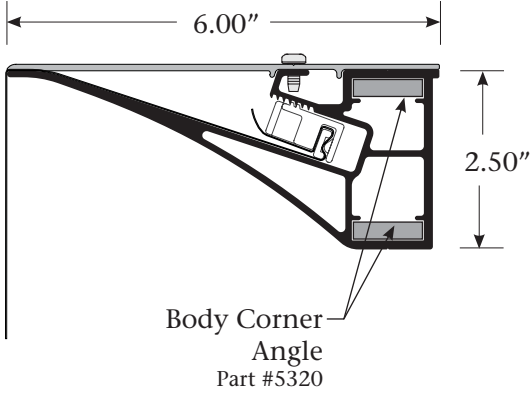
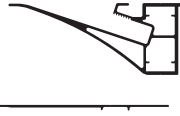




PRODUCT INFORMATION SHEET:

6" Flat Bleed Single Face Tension Body & Cover

Part Number	Part	Length	Finish
2233	6" Flat Bleed S/F Tension Body	24'-6"	Mill
2238	6" Flat Bleed S/F Tension Cover	24'-6"	Mill



Features & Benefits

- 1 piece *body* and bleed tension *frame* combination.
- Curved inner bleed frame for optimal perimeter lighting to help diminish shadows.
- Structurally designed and engineered to eliminate gussets and frame braces.
- Can be *kerf* cut to create custom shapes.
- Ideal for LED applications.

