



# PRODUCT INFORMATION SHEET:

## Slimline Single Face Body

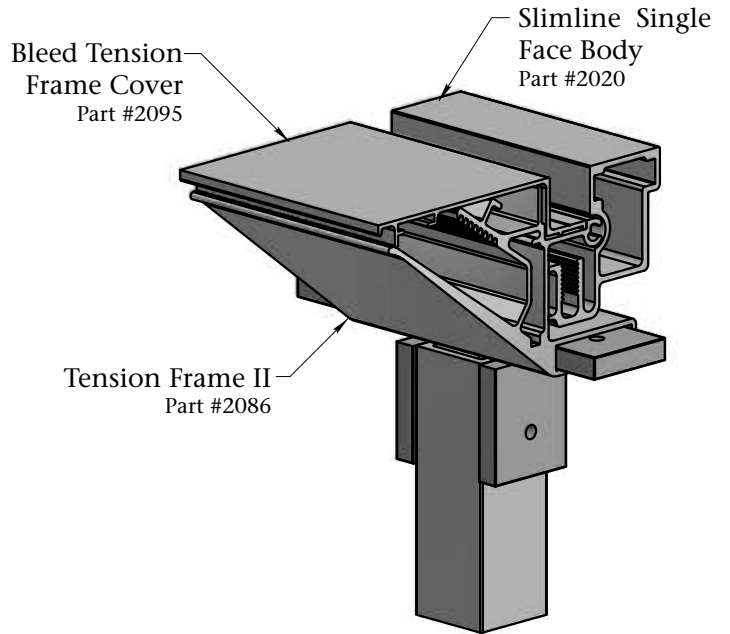
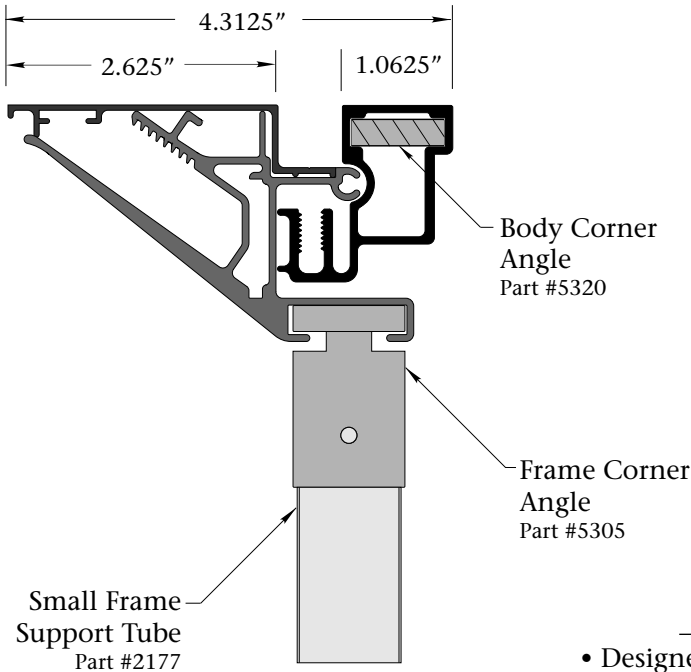


Part Number  
2020

Part  
Slimline Single Face Body

Length  
24'-6"

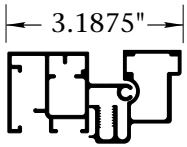
Finish  
Mill  
Pre-painted



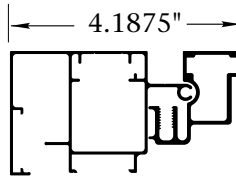
### Features & Benefits

- Designed for applications using LED lighting components.
- 7 hingeable retainer options for rigid or flexible faces.
- Frame Brace and Frame Support Tube assemblies available to reinforce tension and compression loads.

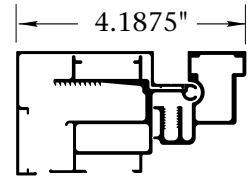
### Retainer Options



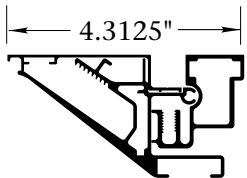
1-1/2" Retainer II  
Part #2053



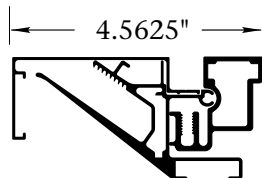
2-1/4" Retainer  
Part #2045



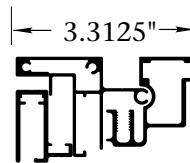
Dual Frame  
w/ 2-1/4" Dual Frame Cover  
Part #2065 and 2075



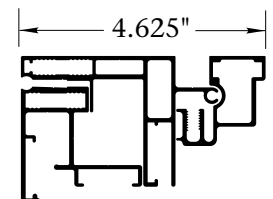
Tension Frame II  
w/ Bleed Tension Frame Cover  
Part #2086 and 2095



Tension Frame II  
w/ 1-1/2" Tension Frame Cover  
Part #2086 and 2084



Inner Frame Retainer  
w/ 2Part Outer Frame Retainer  
Part #2099 and 1942



Large Inner Frame Retainer  
w/ 2Part Large Outer Frame Retainer  
Part #2097 and 1941