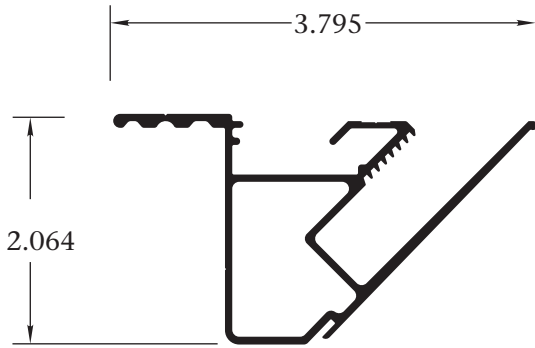




NEW PRODUCT UPDATE:

Flat Bleed Retro Frame with Reflector Slot

Part Number	Part	Length	Finish
2103	Flat Bleed Retro Frame w/ Reflector Slot	24'-6"	Mill



Features & Benefits

- Reflector slot added to accommodate .040 material to direct light evenly to outer edges.
- Three (3) cover options available:
 Flat Bleed Retro Frame Cover (Part #2121)
 Extended Bleed Retro Frame Cover (Part #2123)
 1-1/2" Flat Retro Frame Cover (Part #2125).
- Not designed for hingeable applications.

