

Features & Benefits

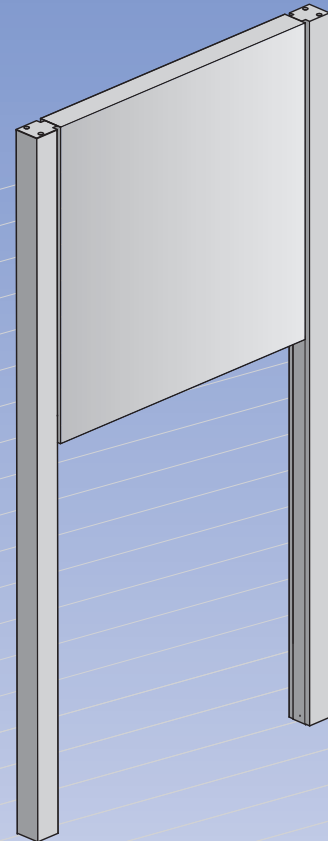
The Series 2 Bleed Body gives the post and panel a frameless appearance. The body can integrate with any of the 12 post options below. This is available in a Mill Finish.

Answers to FAQ's

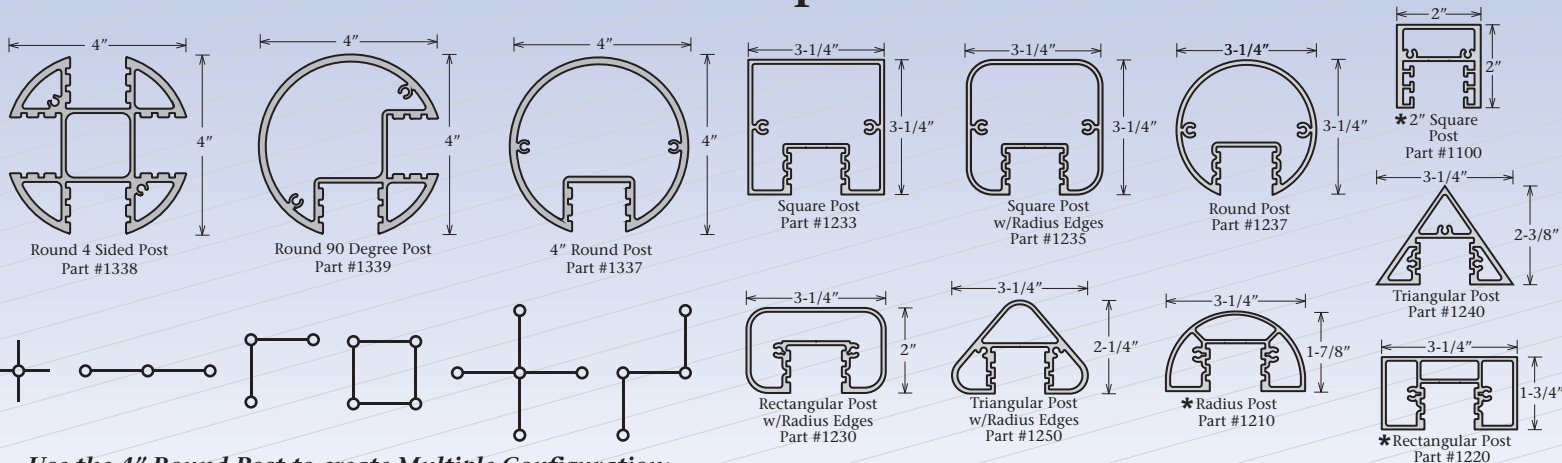
- Recommended panel thickness .100.
- Deduct 1/4" from bodies height and width to get the panel size.

Optional Item

- Face material. (Available in Mill Finish only.)



12 Post Options



Use the 4" Round Post to create Multiple Configuration:

*Post options available in a Bronze Finish