

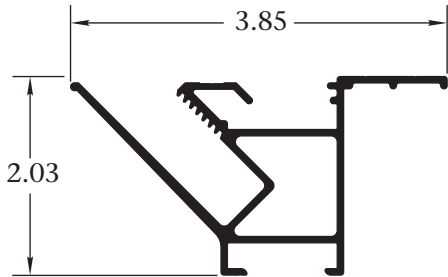


# PRODUCT UPDATE: Flat Bleed Retro Frame

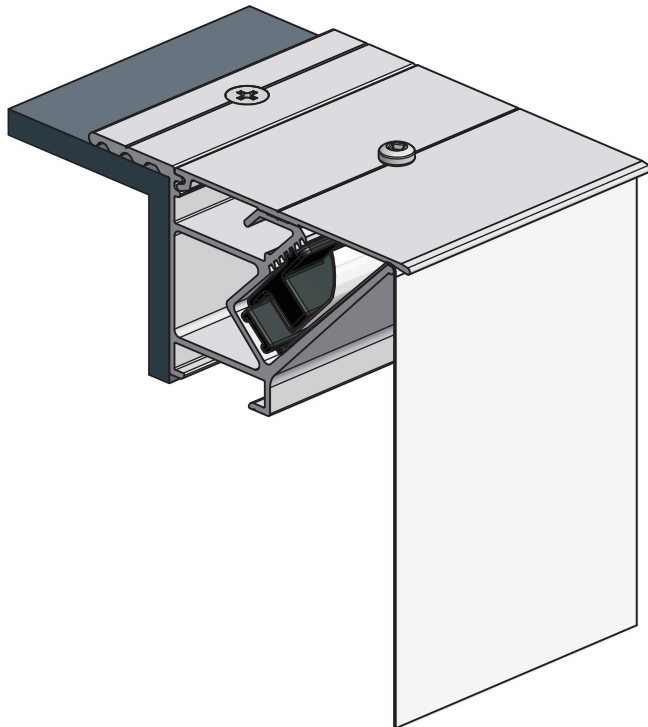
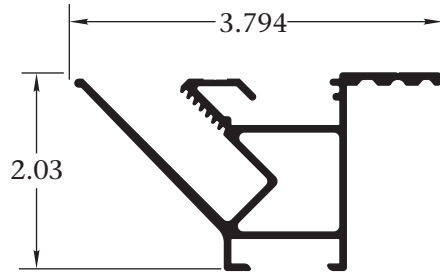
March 2010

Part Number	Part	Length	Finish
2104	Flat Bleed Retro Frame	24'-5"	Mill

PREVIOUS PROFILE



NEW PROFILE



## Features & Benefits

- Aluminum was added to the attachment leg to allow the attachment fasteners to be countersunk if required.
- Voids in the attachment leg accommodate bonding adhesives and caulking.