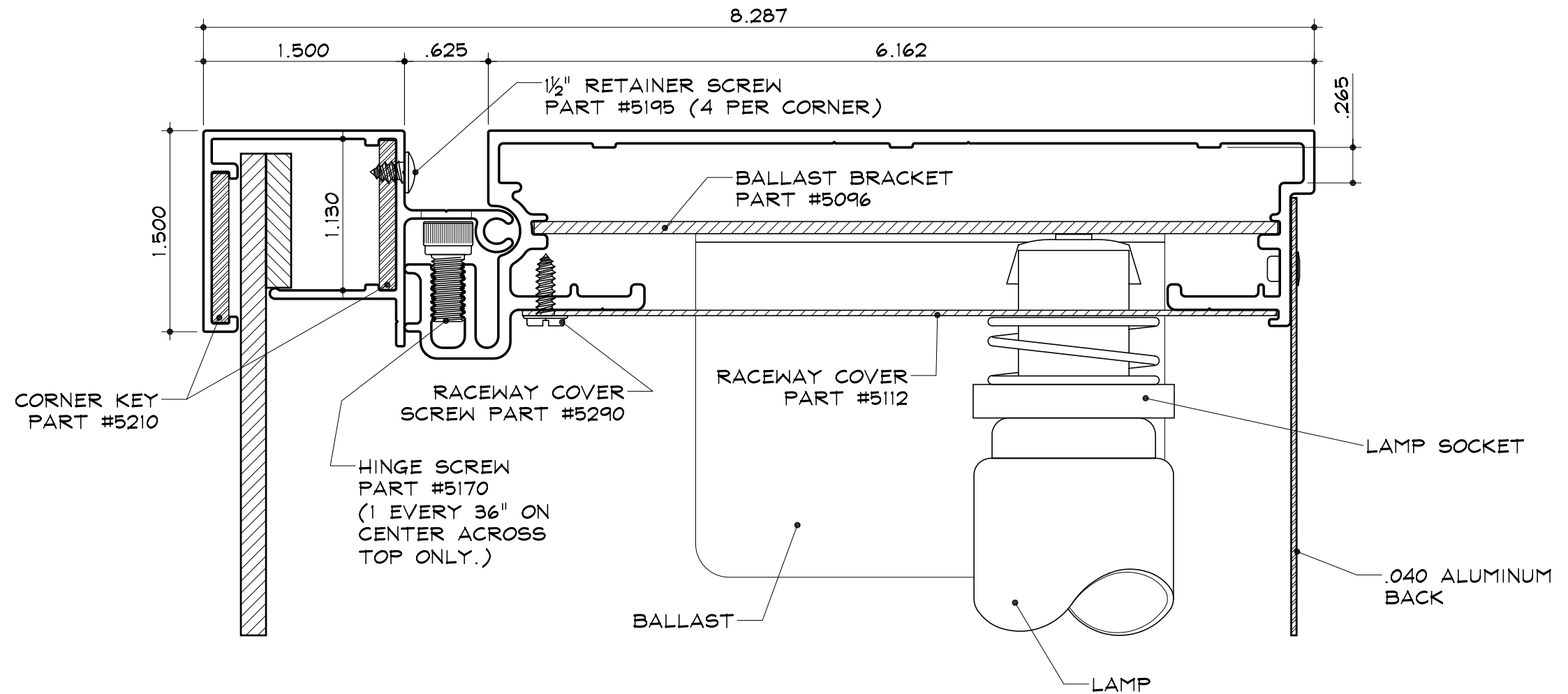


SC-1 for Rigid Faces - Electrical

Single Face Body
 Part #2025

1/2" Retainer
 Part #2055



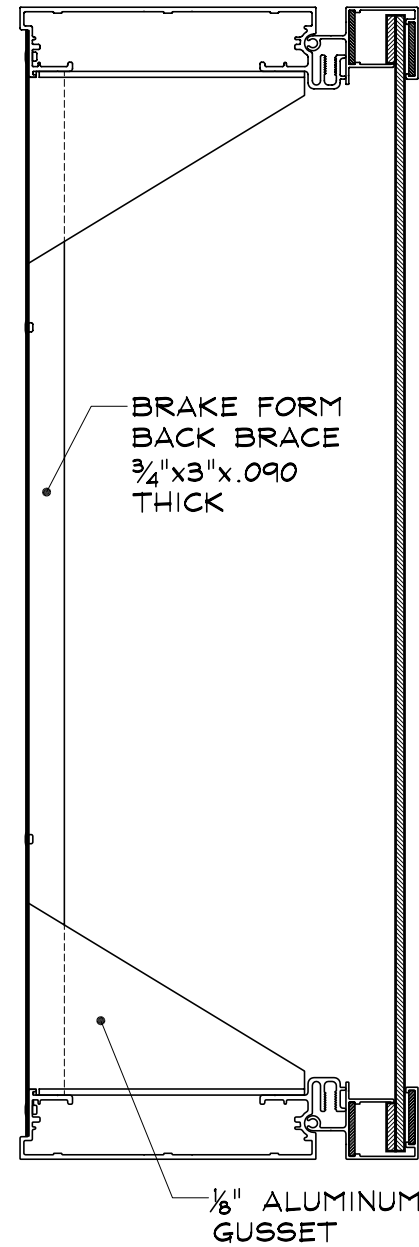
NOTES:

1. Add 1" to size of cabinet (vertical or horizontal) when the size of the cabinet is the same as the nominal lamp length.
2. SignComp does not supply the Ballast(s), Lamps, Lamp Sockets or the .040 Aluminum Back.

SC-1 for Rigid Faces - Structural

Single Face Body
 Part #2025

1/2" Retainer
 Part #2055

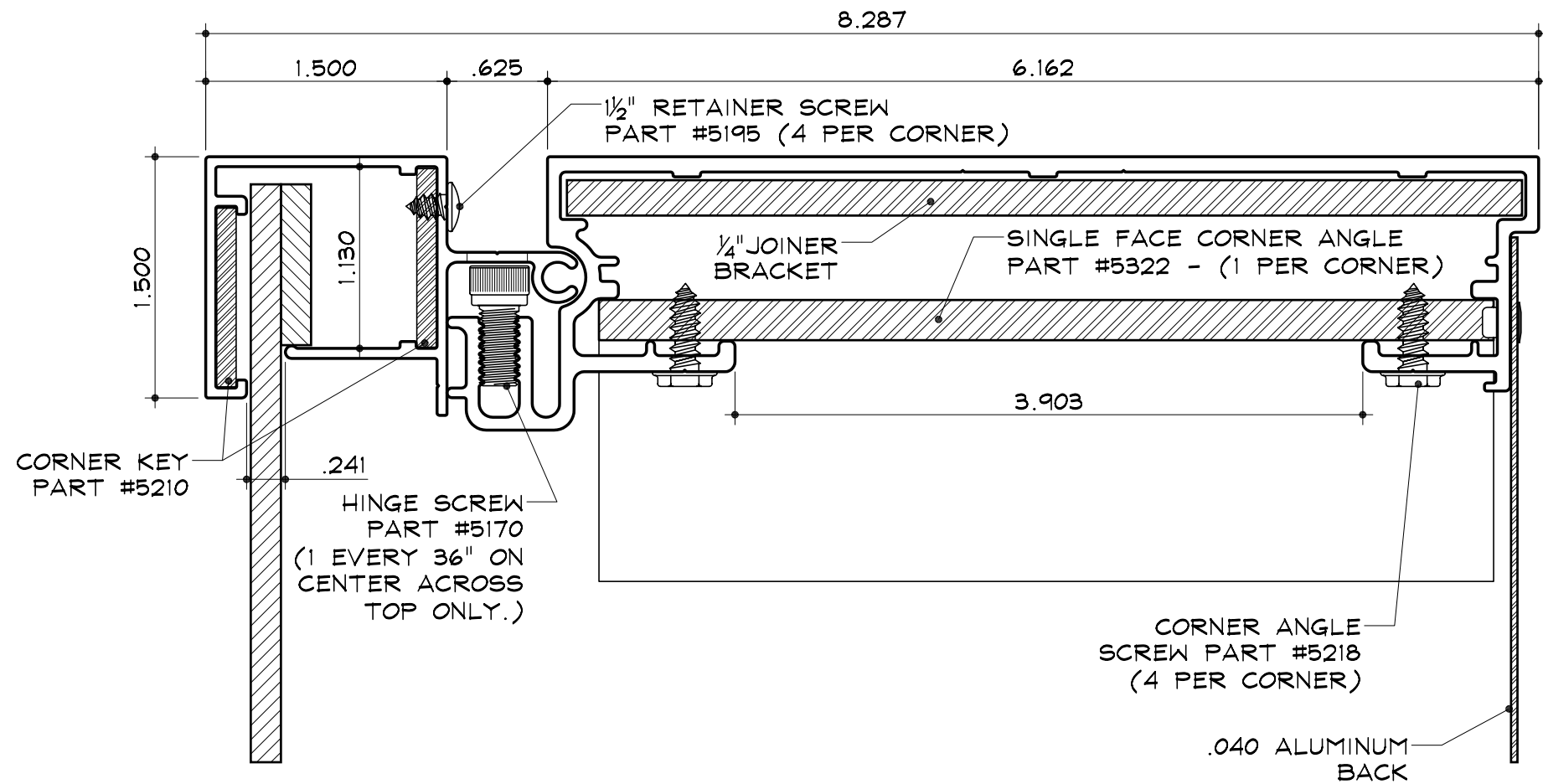


FULL SECTION

SCALE : 3" = 1"

NOTES:

1. Add 1" to size of cabinet (vertical or horizontal) when the size of the cabinet is the same as the nominal lamp length.
2. SignComp does not supply the Material for Gussets, 1/4" Joiner Bracket, or .040 Aluminum Back.



SECTION DETAIL

SCALE : 1" = 1"