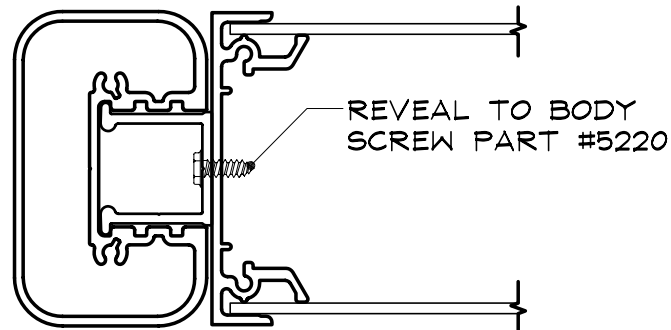


SERIES 3 POST & PANEL:

SERIES 3 - 3/4" REC. POST
W/RADIUS CORNERS
PART #1230

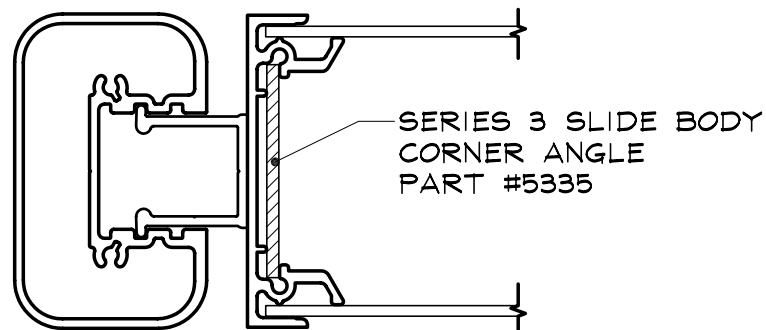
SERIES 2-3 REVEAL
PART #1200

SERIES 3 - 3/4" SLIDE BODY
PART #1260



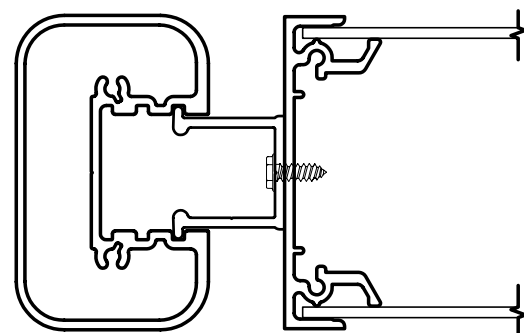
0" REVEAL POSITION

SCALE : 1/2" = 1"



3/8" REVEAL POSITION

SCALE : 1/2" = 1"

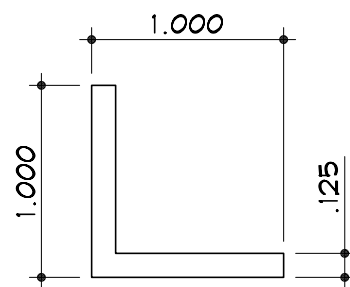
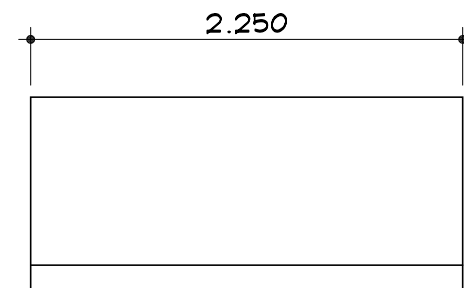


3/4" REVEAL POSITION

SCALE : 1/2" = 1"

FINISH GRADE
OR
TOP OF FOOTING

INSERT FILLER
INTO POST TACK
WELD IT UP TIGHT UP
AGAINST SIGN BOTTOM
LEAVING 6" OF FILLER
BELOW GRADE.



CORNER ANGLE PART #5335

SCALE : 1" = 1"

INSTALL REVEAL PIECE
1/8" BELOW TOP OF SIGN
TO ALLOW POST CAP
TO ALIGN FLUSH WITH
TOP OF SIGN.

SER 3 - 1230-1

