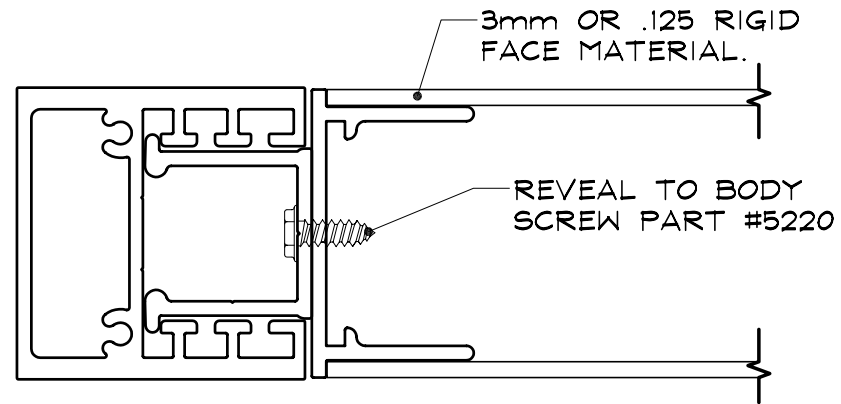


**SERIES 2 POST & PANEL:**

SERIES 2 2" SQUARE POST  
PART #1100

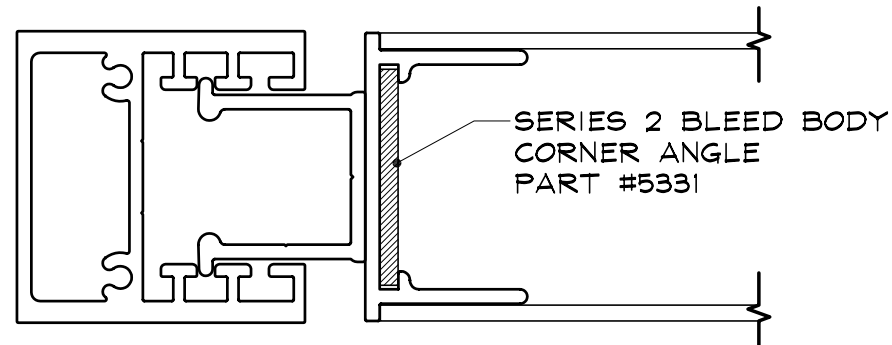
SERIES 2-3 REVEAL  
PART #1200

SERIES 2 BLEED BODY  
PART #1120



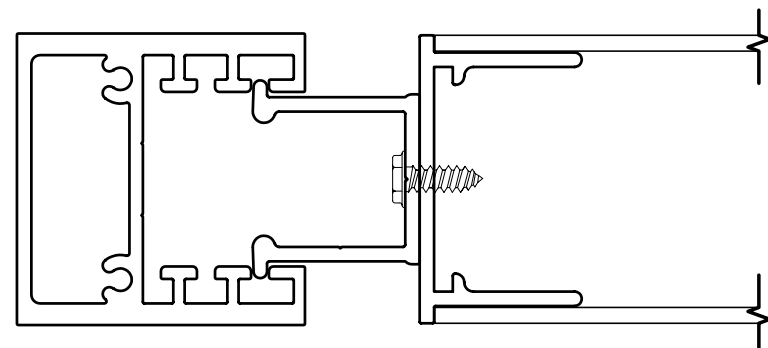
**0" REVEAL POSITION**

SCALE : 3/4" = 1"



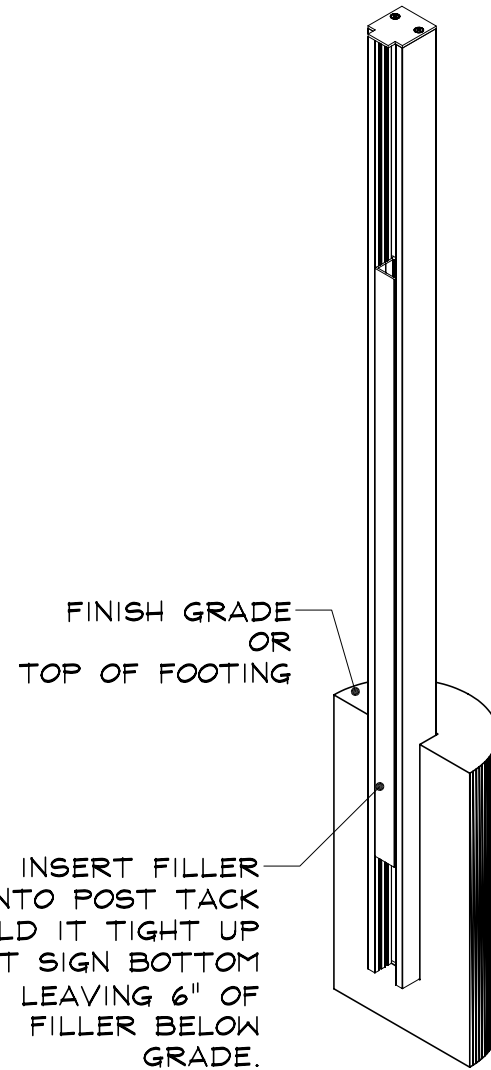
**3/8" REVEAL POSITION**

SCALE : 3/4" = 1"



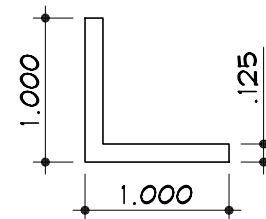
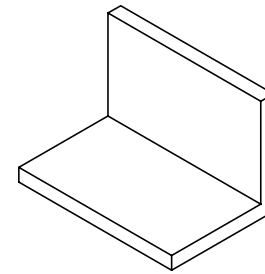
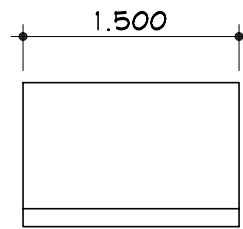
**3/4" REVEAL POSITION**

SCALE : 3/4" = 1"



FINISH GRADE  
OR  
TOP OF FOOTING

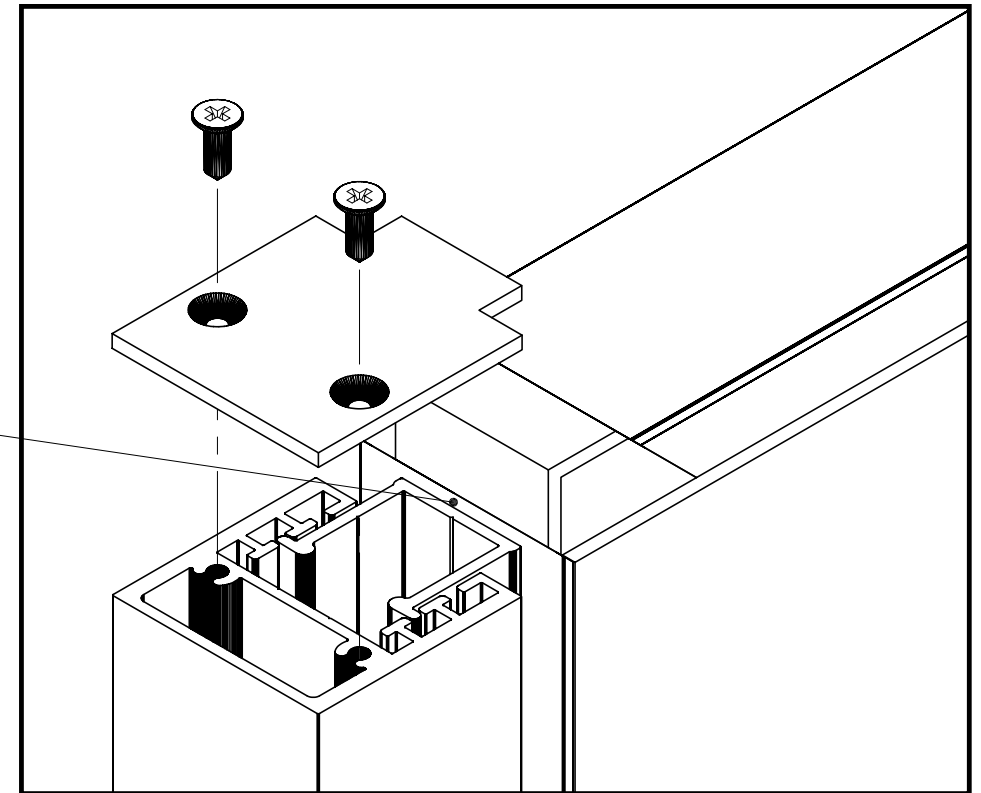
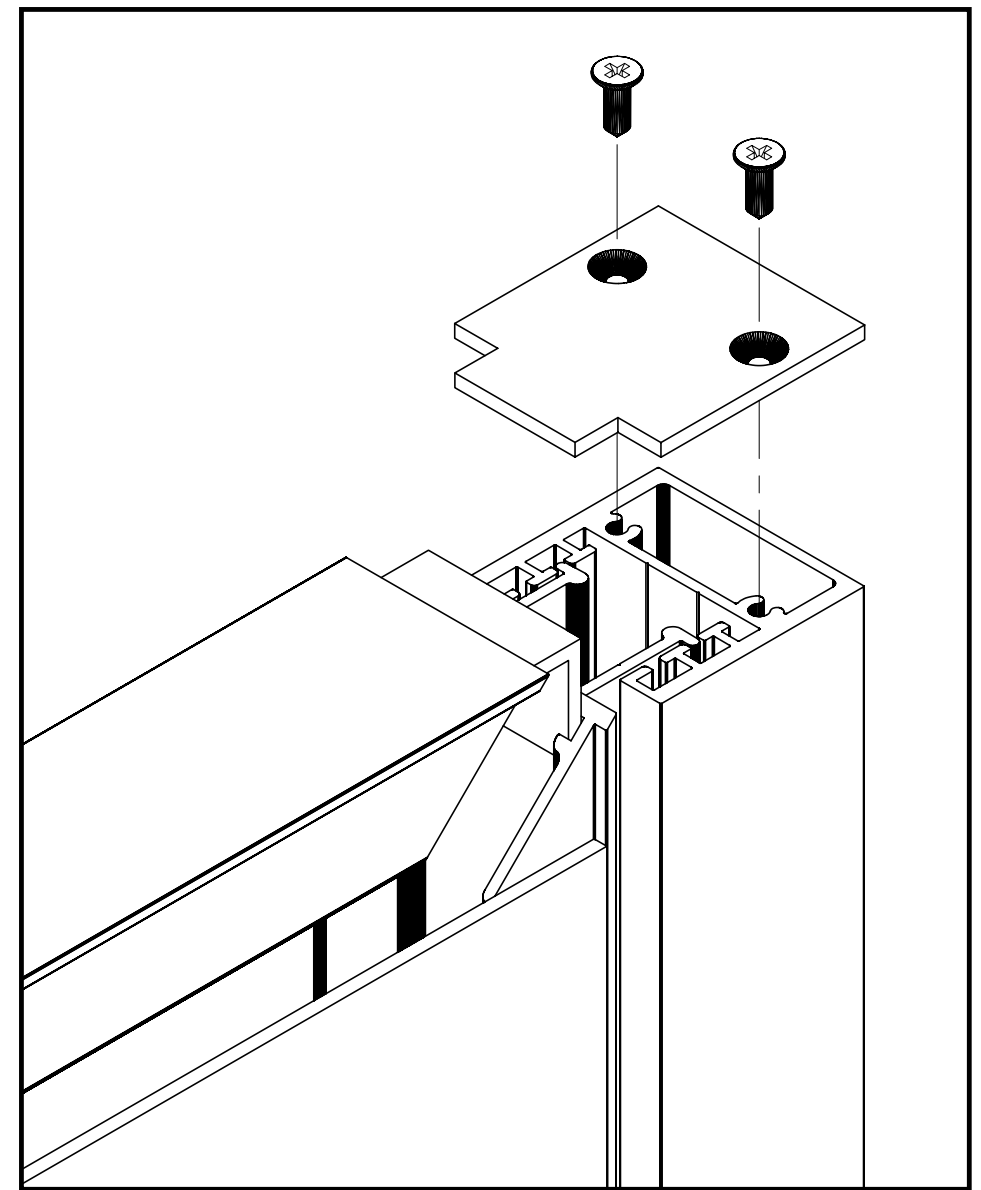
INSERT FILLER  
INTO POST TACK  
WELD IT TIGHT UP  
AGAINST SIGN BOTTOM  
LEAVING 6" OF  
FILLER BELOW  
GRADE.



**CORNER ANGLE PART #5331**

SCALE : 3/4" = 1"

INSTALL REVEAL PIECE  
1/8" BELOW TOP OF SIGN  
TO ALLOW POST CAP  
TO ALIGN FLUSH WITH  
TOP OF SIGN



SER 2 - 1100-1