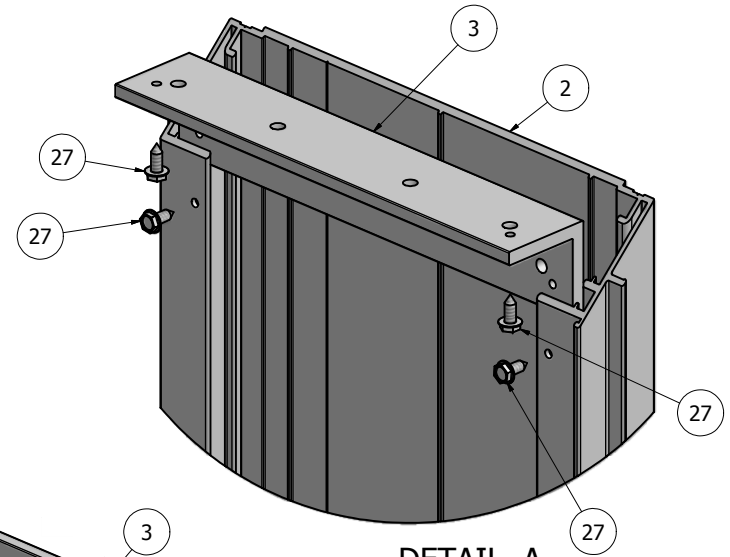
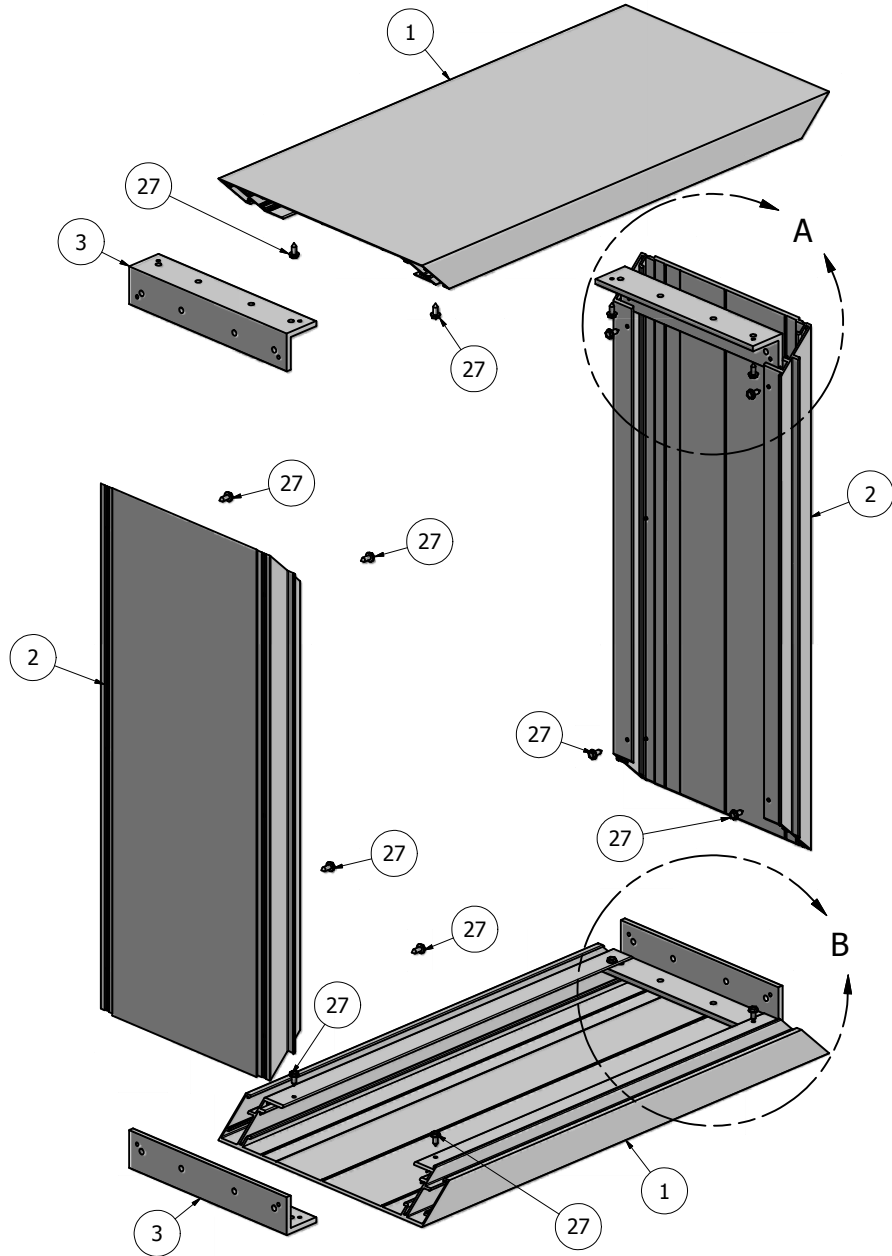




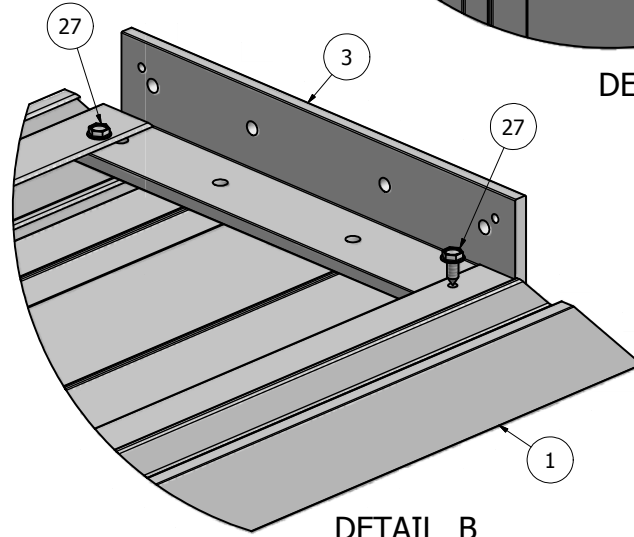
| Parts List |        |   |                        |
|------------|--------|---|------------------------|
| ITEM       | PART # | DESCRIPTION                                   | NOTES                  |
| 1          | 1924   | 1Part 12" Double Face Body                    | Top & Bottom           |
| 2          | 1929   | 2Part 12" Double Face Body                    | Ends                   |
| 3          | 5977   | 1Part 2Part 12" Double Face Body Corner Angle |                        |
| 27         | 5218   | Corner Angle Screw                            | Drill 5/32" Pilot Hole |

Ship To:

Order Number:



DETAIL A



DETAIL B

**NOTE: PRE-CUT KITS ARE NOT PRE-DRILLED.**

(Holes shown in this drawing are for reference only.  
Drilling of pilot holes are to be done by fabricator.)

THIS DRAWING WAS CREATED AT NO CHARGE TO ASSIST YOU IN VISUALIZING OUR PROPOSAL. THE DRAWING HEREIN IS THE PROPERTY OF SIGNCOMP. PERMISSION TO COPY OR REVISE THIS DRAWING OR TO USE THIS DRAWING FOR PRODUCTION IS STRICTLY PROHIBITED AND CAN ONLY BE COPIED, REVISED OR USED FOR PRODUCTION WITH THE EXPRESSED WRITTEN PERMISSION OF SIGNCOMP.

|          |       |           |   |              |     |
|----------|-------|-----------|---|--------------|-----|
| DRAWN    | Steve | 6/16/2010 | <b>SignComp</b>                             |              |     |
| CHECKED  |       |           |   |              |     |
| QA       |       |           | TITLE                                       |              |     |
| MFG      |       |           | 1Part 2Part 12" Double Face Body - Assembly |              |     |
| APPROVED |       |           | SIZE  | DWG NO       | REV |
|          |       |           | C   | 1924-29BE    |     |
|          |       |           | SCALE                                       | SHEET 1 OF 1 |     |