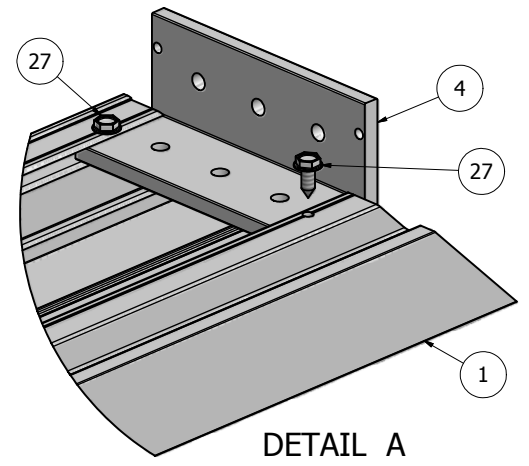
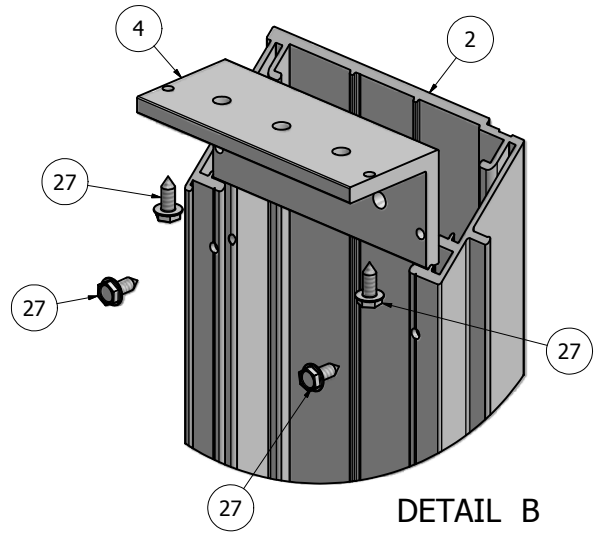
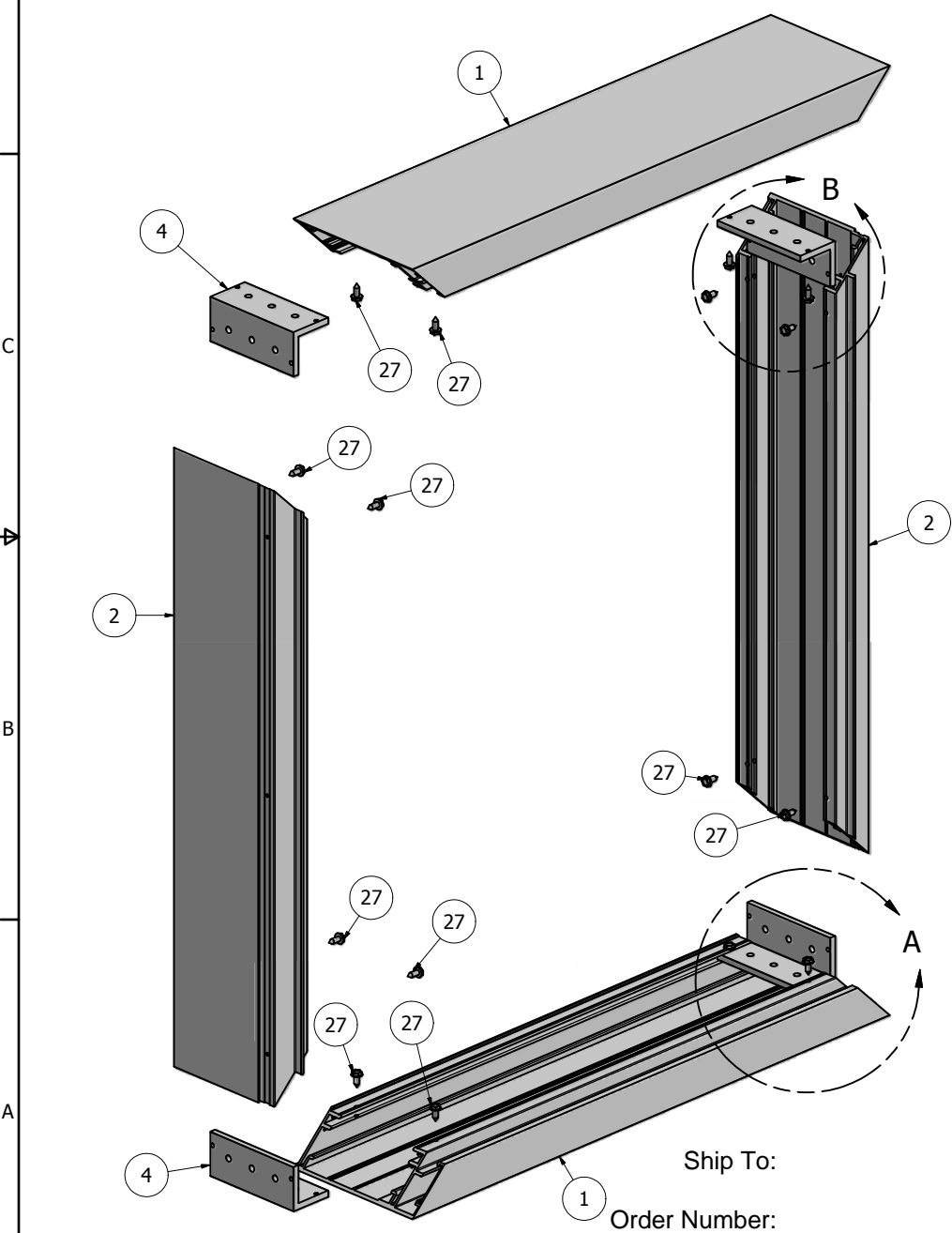


Parts List			
ITEM	PART #	DESCRIPTION	NOTES
1	1921	1Part 6" Single Face Body	Top & Bottom
2	1926	2Part 6" Single Face Body	Sides
4	5981	1Part 2Part 6" Single Face Body Corner Angle	
27	5218	Corner Angle Screw	Drill 2/32" Pilot Hole



NOTE: PRE-CUT KITS ARE NOT PRE-DRILLED.
 (Holes shown in this drawing are for reference only.
 Drilling of pilot holes are to be done by fabricator.)

Ship To:
 Order Number:

THIS DRAWING WAS CREATED AT NO CHARGE TO ASSIST YOU IN VISUALIZING OUR PROPOSAL. THE DRAWING HEREIN IS THE PROPERTY OF SIGNCOMP. PERMISSION TO COPY OR REVISE THIS DRAWING OR TO USE THIS DRAWING FOR PRODUCTION IS STRICTLY PROHIBITED AND CAN ONLY BE COPIED, REVISED OR USED FOR PRODUCTION WITH THE EXPRESSED WRITTEN PERMISSION OF SIGNCOMP.			
DRAWN	12/17/2009	<h1>SignComp</h1>	
CHECKED			
QA			
MFG			
APPROVED			
TITLE		1Part 6" Single Face Body - 2Part 6" Single Face Body - Assembly	
SIZE	C	DWG NO	1921-26BE
SCALE			REV
			SHEET 1 OF 1