

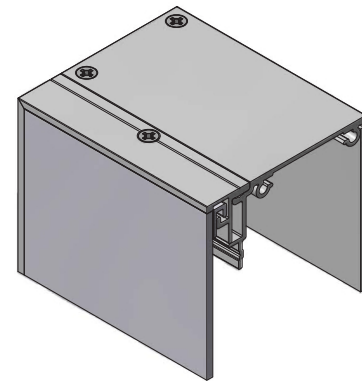


Series 3 and 4 Access Bodies with Covers

	Part	Part Number	Length	Finish
	Series 3 Single Face Access Body	1291	24'-2"	Mill Finish
	Series 3 Access Body	1290	24'-2"	Mill Finish
	Series 4 Single Face Access Body	1391	24'-2"	Mill Finish
	Series 4 Access Body	1390	24'-2"	Mill Finish
	Bleed Cover	1692	24'-5"	Mill Finish
	Frameless Cover	1693	24'-5"	Mill Finish
	Slide Cover	1694	24'-5"	Mill Finish
	Radius Slide Cover	1695	24'-5"	Mill Finish
	Insert Top/Bottom Cover	1292	16'-2"	Mill Finish

Features & Benefits

- Engineered for mechanical fastening, bonding with adhesive, or welded assembly
- Five Cover Options
- Can be used with all Architectural Posts
- Integrates with 1-1/4" Divider, Part #1662 or Insert Divider, Part #1668



Shown with Insert Top/Bottom Cover
Part #1292

13 Post Options

